

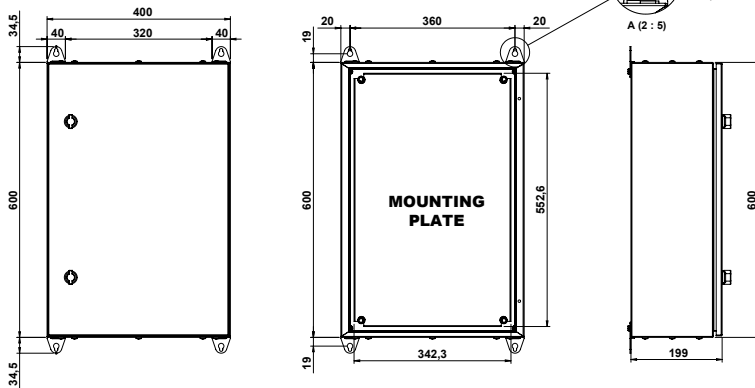
METAL ENCLOSURES

wall mounted



Technical Characteristic

- Color, RAL 7035 Grey
- Thickness 1,20 mm
- IP 66
- Included Galvanized Mounting Plate
- Foamed in Door Gasket
- Top and Bottom Flash (Gland) Plate
- Hidden Hinges



Metal Enclosure

Code	Dimension (WxHxD)	Pack
CP 202515 E	200x250x150	1
CP 203015 E	200x300x150	1
CP 253015 E	250x300x150	1
CP 303015 E	300x300x150	1
CP 303020 E	300x300x200	1
CP 303515 E	300x350x150	1
CP 303520 E	300x350x200	1
CP 304015 E	300x400x150	1
CP 304020 E	300x400x200	1
CP 304025 E	300x400x250	1
CP 354520 E	350x450x200	1
CP 354525 E	350x450x250	1
CP 405020 E	400x500x200	1
CP 405025 E	400x500x250	1
CP 406020 E	400x600x200	1
CP 406025 E	400x600x250	1
new CP 406030 E	400x600x300	1
CP 506020 E	500x600x200	1
CP 506025 E	500x600x250	1
new CP 506030 E	500x600x300	1
CP 507020 E	500x700x200	1
CP 507025 E	500x700x250	1
CP 507030 E	500x700x300	1
CP 607020 E	600x700x200	1
CP 607025 E	600x700x250	1
CP 608020 E	600x800x200	1
CP 608025 E	600x800x250	1
CP 608030 E	600x800x300	1
CP 609025 E	600x900x250	1
CP 609030 E	600x900x300	1
new CP 6010020 E	600x1000x200	1
CP 6010025 E	600x1000x250	1
CP 6010030 E	600x1000x300	1
CP 6010040 E	600x1000x400	1
new CP 6012020 E	600x1200x200	1
CP 6012030 E	600x1200x300	1
CP 6014030 E	600x1400x300	1
CP 6014040 E	600x1400x400	1
new CP 7010020 E	700x1000x200	1
CP 7010025 E	700x1000x250	1
CP 7010030 E	700x1000x300	1
CP 7010040 E	700x1000x400	1
new CP 7012020 E	700x1200x200	1
CP 7012030 E	700x1200x300	1
new CP 7012040 E	700x1200x400	1
CP 7014030 E	700x1400x300	1
CP 7014040 E	700x1400x400	1
new CP 8010020 E	800x1000x200	1
CP 8010025 E	800x1000x250	1
CP 8010030 E	800x1000x300	1
CP 8010040 E	800x1000x400	1
new CP 8012025 E	800x1200x250	1
CP 8012030 E	800x1200x300	1
CP 8014030 E	800x1400x300	1
CP 8014040 E	800x1400x400	1